

规格 / Specifications:

翼展 / Wingspan	1245 mm / 49 in
机长 / Length	1809 mm / 71.2 in
重量 / Weight	5.6 Kg / 12.3 ib (12S)
材料 / Material	EPO
涵道 / EDF	S-EDF 105mm,11叶/blades
起落架 / Landing gear	全金属油压减震电动收放, 标配刹车 / All metal oil shock electric retractable+Brake

配置 / Configuration:

电机 / Motor	4270/750KV(12S)外转无刷/External rotation Brushless
电调 / ESC	160A 专业无刷 / Pro Brushless (2s~12s)
电池 / Battery	6S×2,5200mAh,60C 锂电 / Li-Po
舵机 / Servo	25g×4 PCS , 12g×8 PCS



扫码关注, 谢谢支持!

www.hsdrc.com www.hsdgo.com

hsd@hsdjetshuang sai.com

贵州省安顺市西秀区西秀产业园区标准化厂房 F6 栋(邮编: 561099)

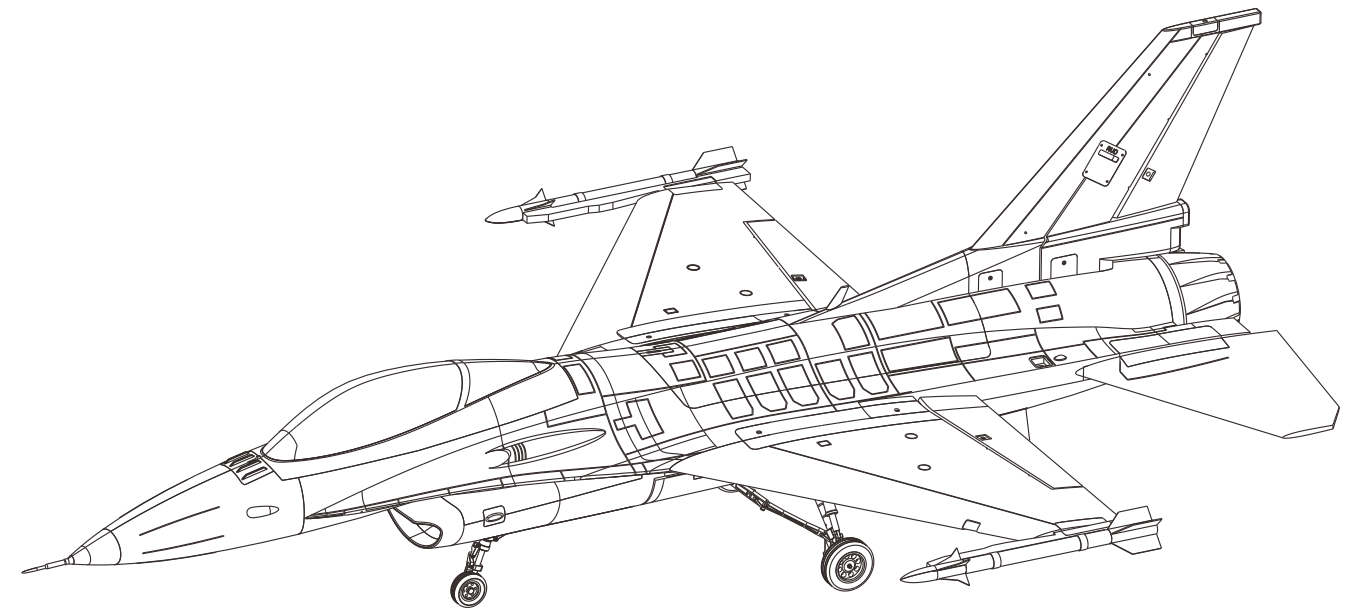
Building F6, Standardized Factory Buildings , Xixiu Industrial Park, Xixiu District, Anshun City, Guizhou Province,China (Post: 561099)

©2019 黄赛航空 版权所有

Designed by HSD. Printed in China 2020.01

HSDJETS®

S-EDF 105mm F-16 EPO 快速组装说明 QUICK SETUP MANUAL



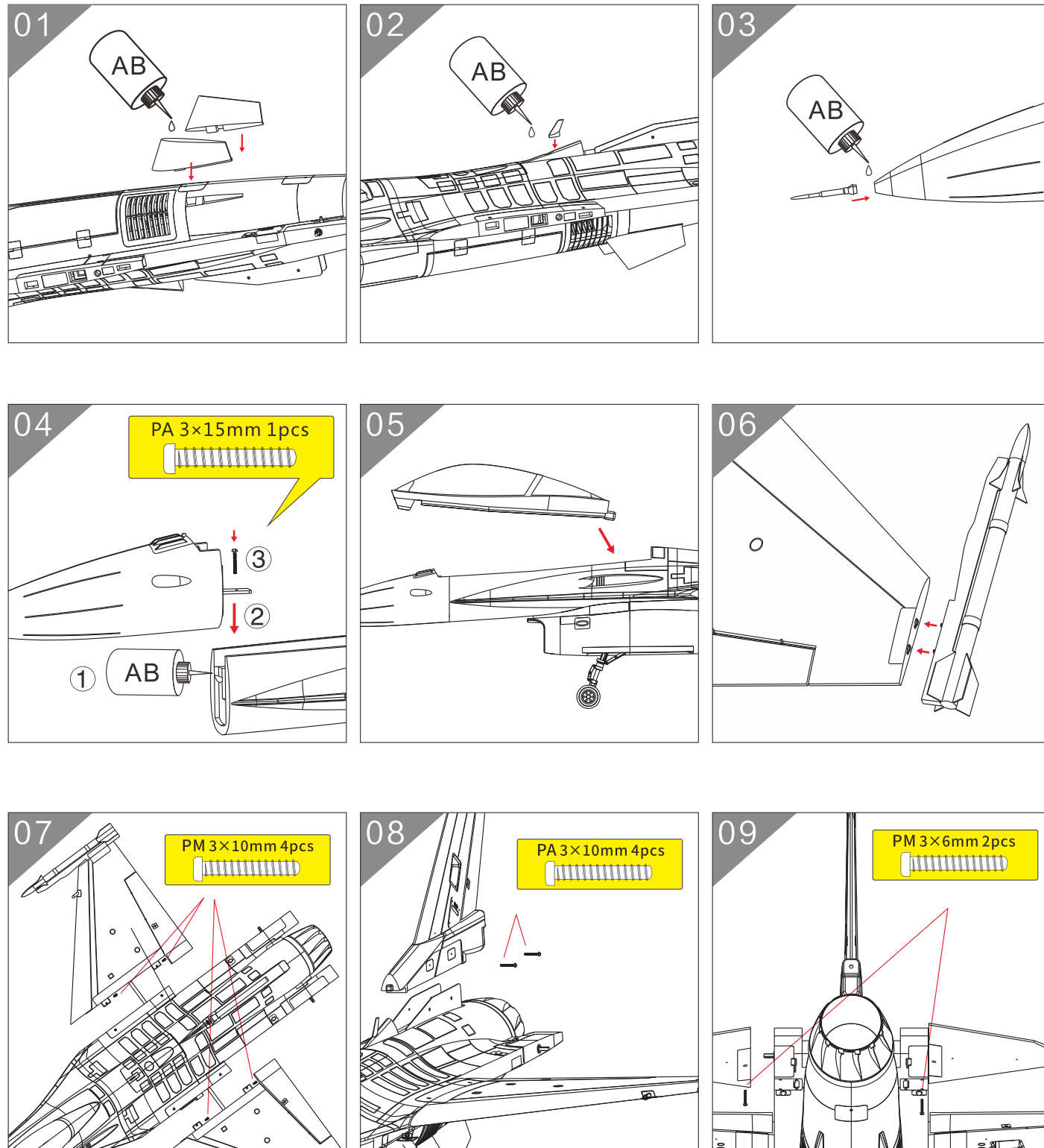
产品序列号:

想了解更多产品视频、图片、注意事项等信息
请登陆: www.hsdrc.com www.hsdgo.com

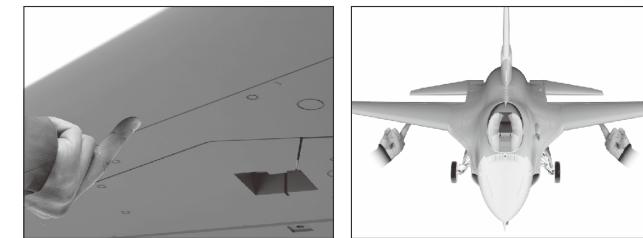
Want to learn more about the product video, pictures, and other
matters of attention Please log in: www.hsdrc.com www.hsdgo.com

S-EDF 105mm F-16 EPO

组装步骤 / ASSEMBLY

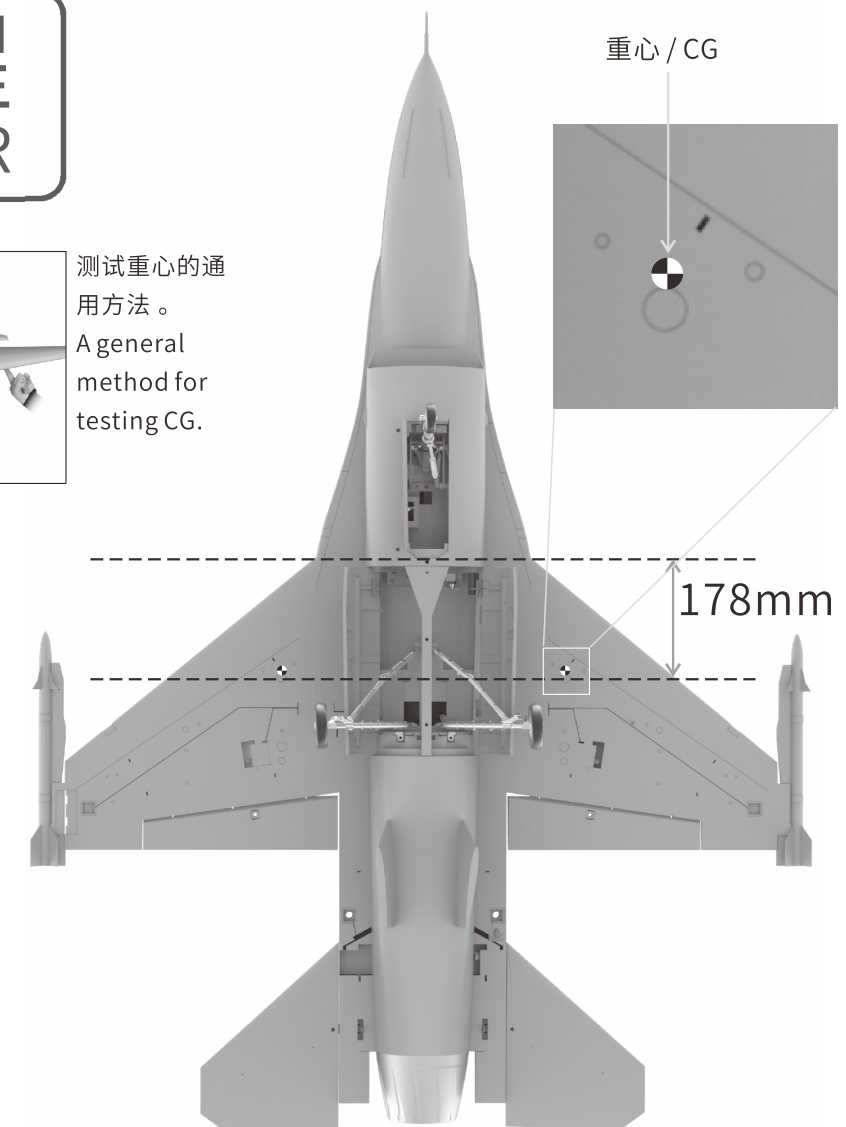
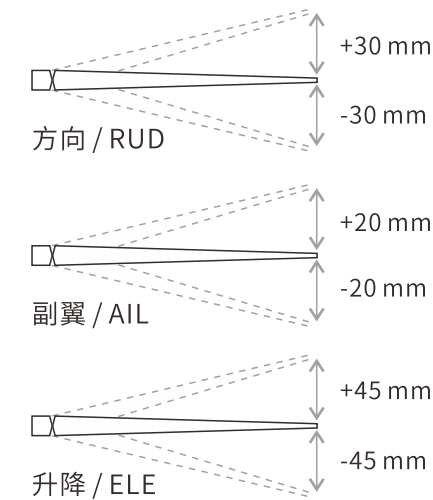


特别提醒 SPECIAL REMINDER



测试重心的通用方法。
A general method for testing CG.

建议舵量：
Recommend surface travel:



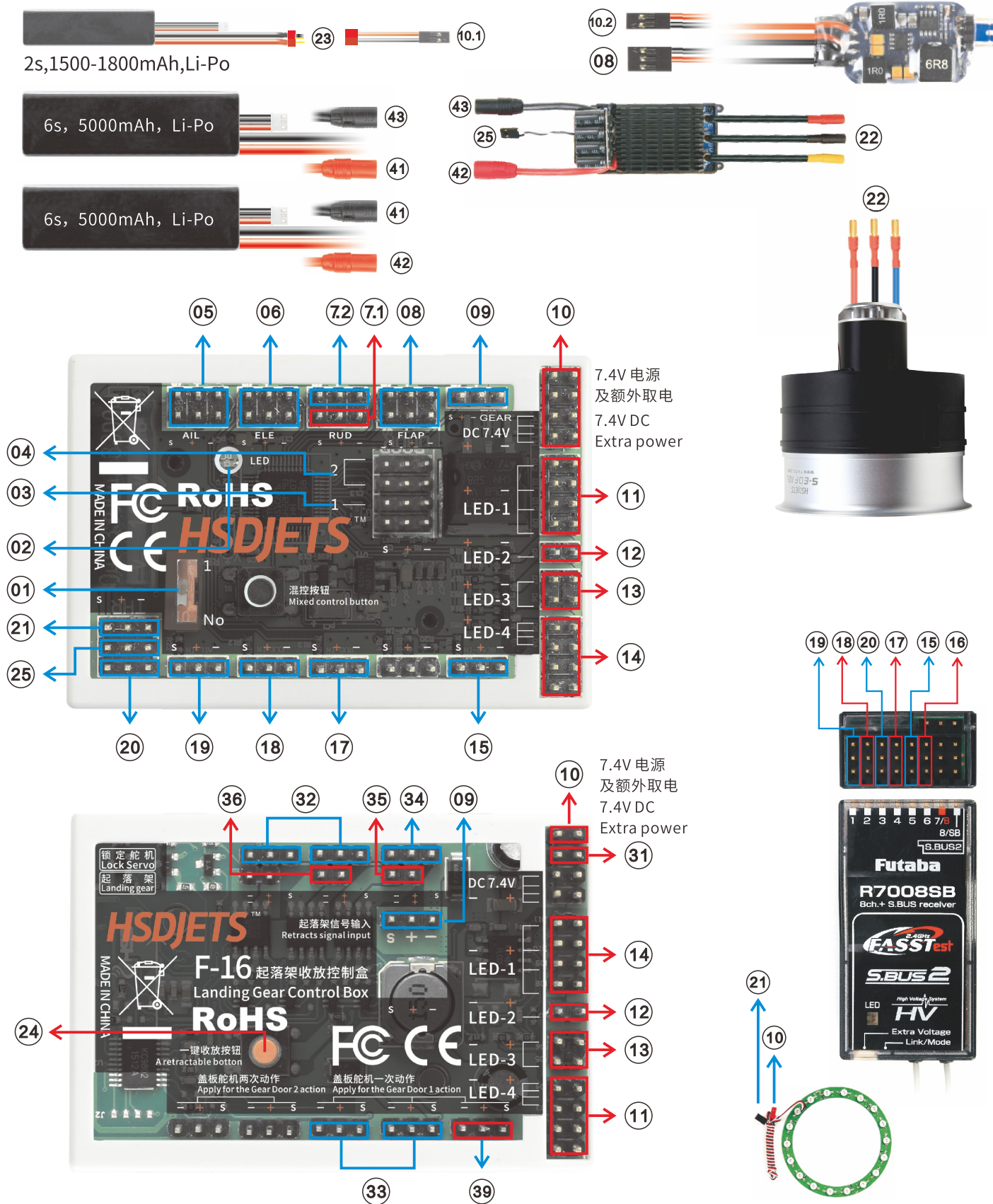
装机头锁上螺丝后，还需要上胶水粘牢。
Install head lock screw, also need glue.

注意：平尾与机身上面边缘齐平为基准，平尾向上翘 5 mm。

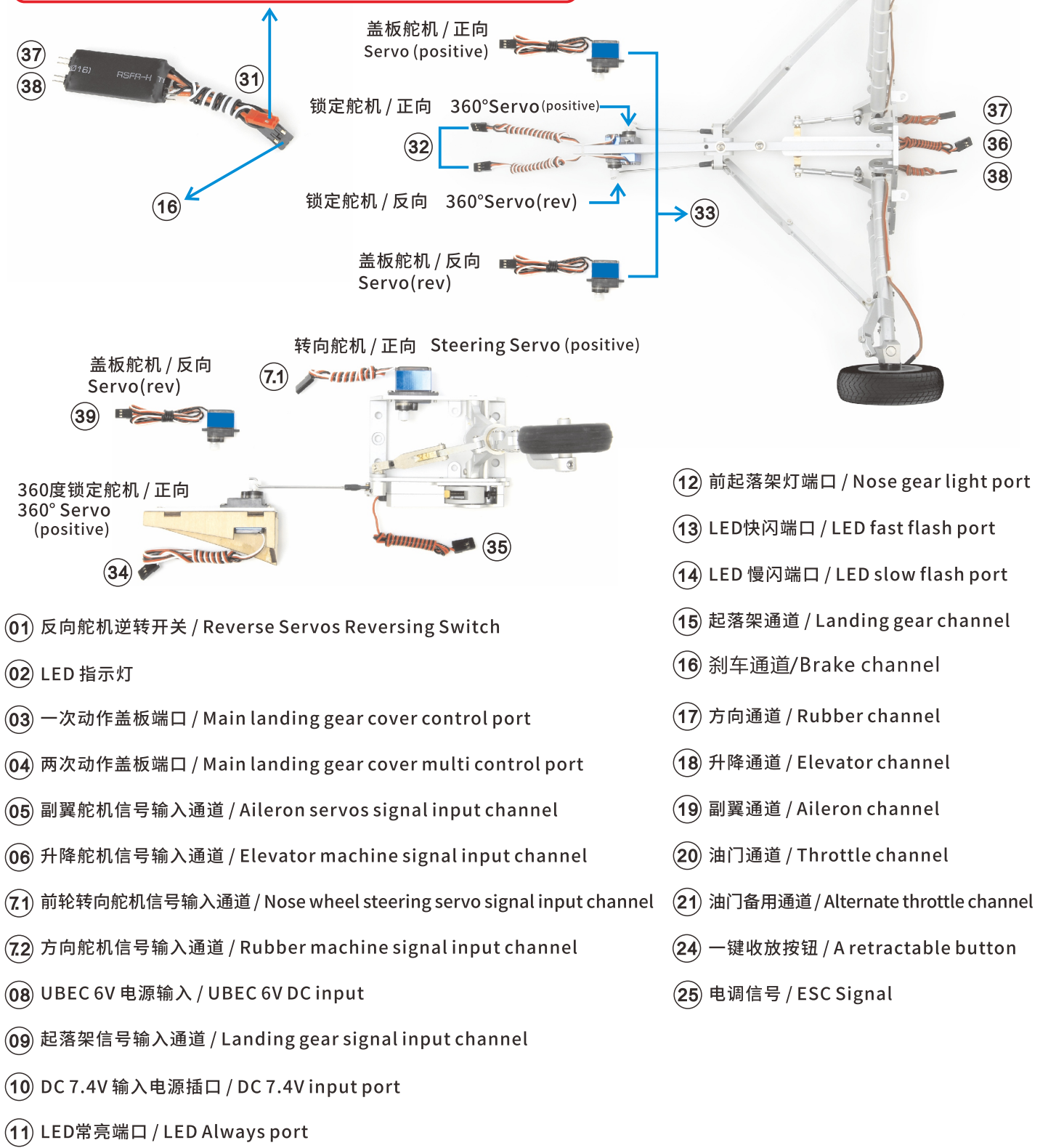
Note: Take the fuselage margin as reference, the horizontal tail upward 5 mm.

S-EDF 105mm F-16 EPO

接线图 / CONNECTION GUIDE



! 刹车输入电压出厂默认为: 7.4V, 如果想增大刹车力度, 请输入11.1V电压 (可采用发动机动力电池来供电)。
The default voltage for braker is 7.4V, if you need increase strength of braker, use higher voltage. (ex: 11.1V)



S-EDF 105mm F-16 EPO

HSDJETS®

起落架爆炸图 / DECOMPOSITION GRAPH

