

规格 / Specifications:

翼展 / Wingspan	1500 mm / 59.1in
机长 / Length	1663 mm / 65.5 in
重量 / Weight	6S-4300 g / 151.1 oz, 8S-5000g/176.4oz, 12s-6000g/211.7oz
机体材料 / Material	EPO
涵道 / EDF	105mm EDF, 12 叶 尼龙+纤/ blades
起落架 / Landing gear	全金属液压腿减震版

配置 / Configuration:

电机 / Motor	4258 / 1200KV (6s) 无刷 / Brushless
	4258 / 1000KV (8s) 无刷 / Brushless
	4258 / 700KV (12s) 无刷 / Brushless
电调 / ESC	160A 12S (标配AS150红公黑母)
选配电池 / Optional Battery	6s, 5000 mAh, 40C, 锂电 / Li-Po
	8s, 5000 mAh, 40C, 锂电 / Li-Po
	12s: 6s 5000 mAh 40C×2, 锂电 / Li-Po
舵机 / Servo	25g×7pcs, 12g×2pcs
轮子 / Wheel	可选配安装刹车轮



扫码关注，谢谢支持！

www.hsdjets.com

hsd@hsdjetshuang sai.com

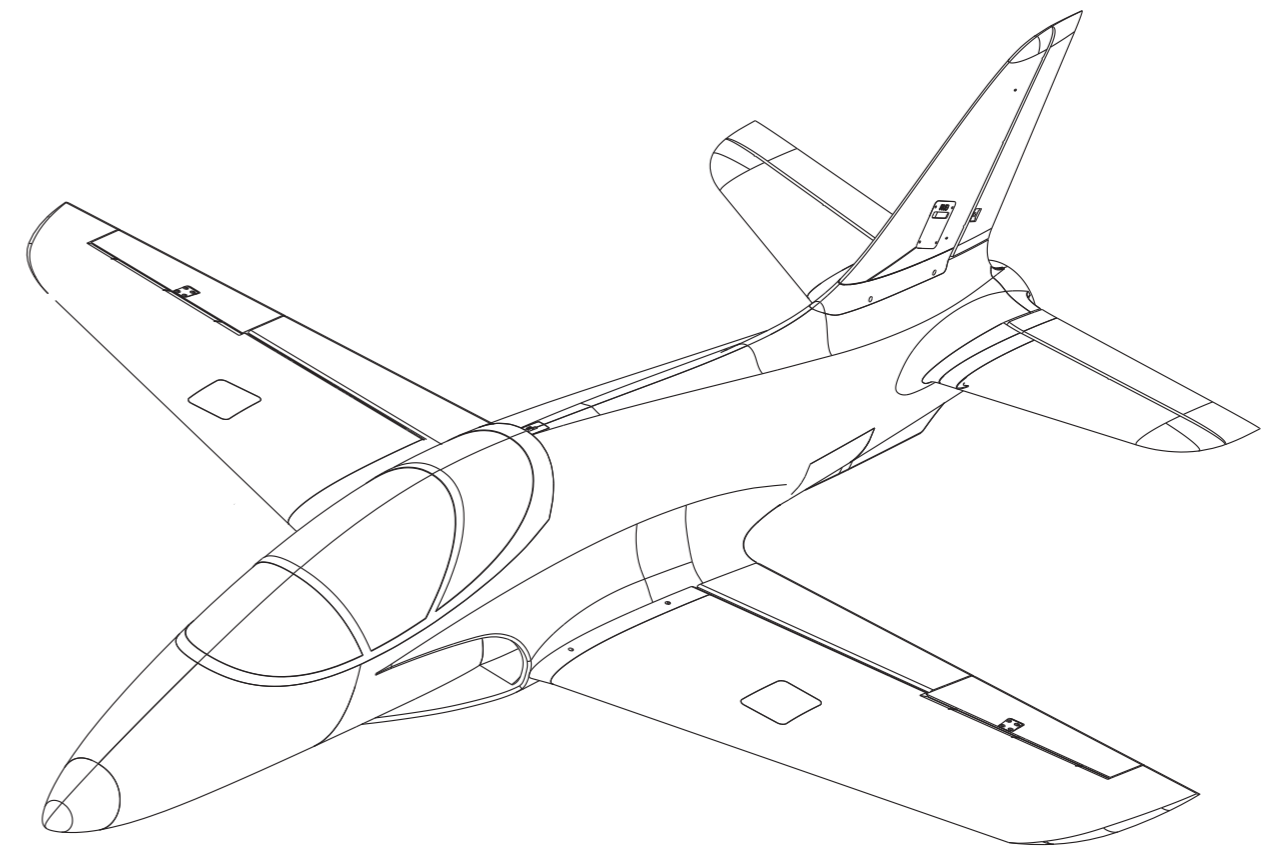
广东省东莞市虎门镇怀德矮岗塘仔工业区 B 栋 (HSDJETS 工业园) (邮编: 523926)
HSDJETS Industry Park, Aigang Industry District, Huaide, Humen Town, Dongguan City,
Guangdong Province, China (Post: 523926)

©2017 黄赛航空 版权所有

Designed by HSDJETS. Printed in China

HSDJETS®

105mm EDF SUPER VIPER 快速组装说明 QUICK SETUP MANUAL



产品序列号:

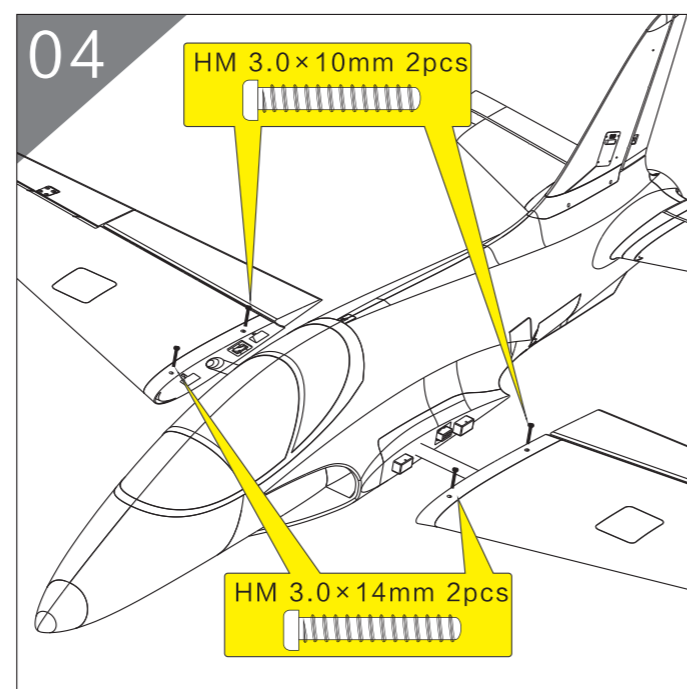
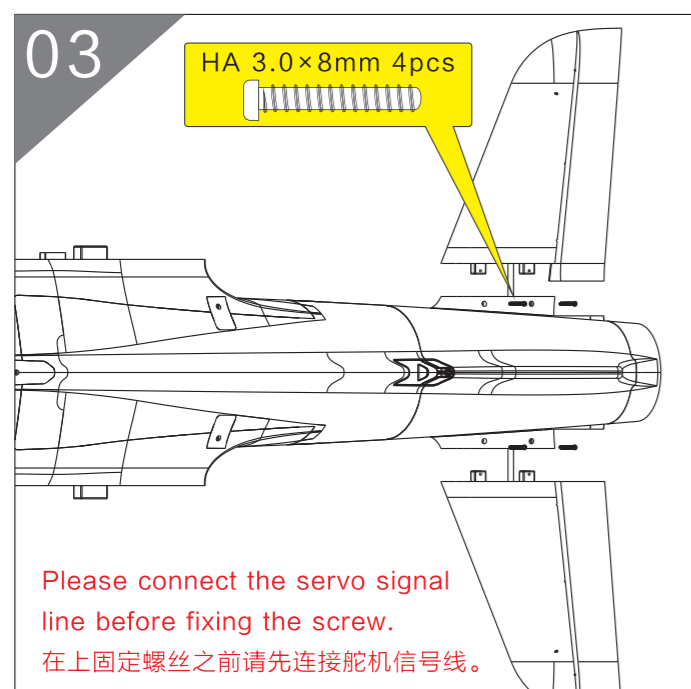
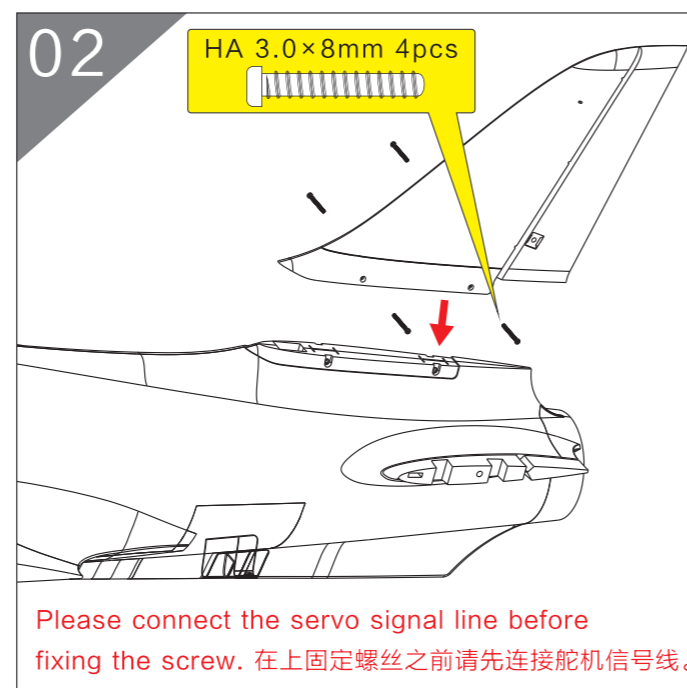
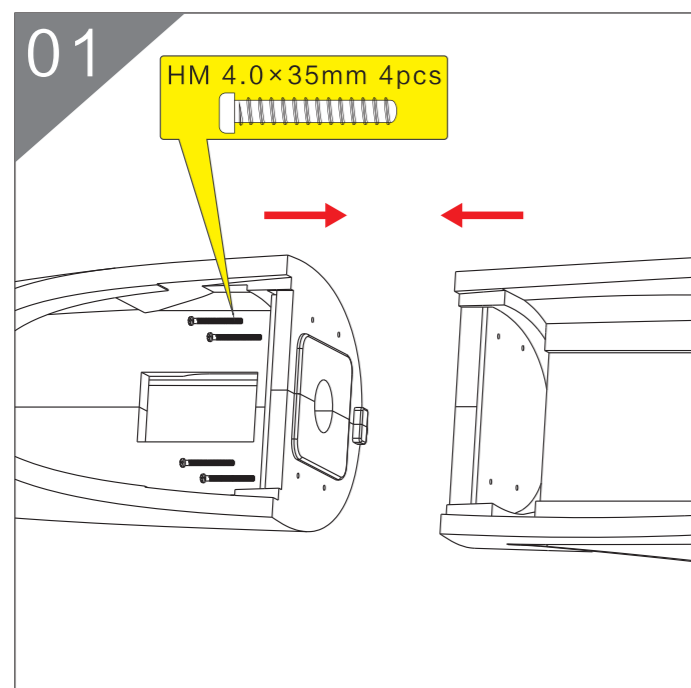
想了解更多产品视频、图片、注意事项等信息

请登录: www.hsdjets.com

Want to learn more about the product video, pictures,
and other matters of attention Please log in: www.hsdjets.com

105mm EDF SUPER VIPER

组装步骤 / ASSEMBLY

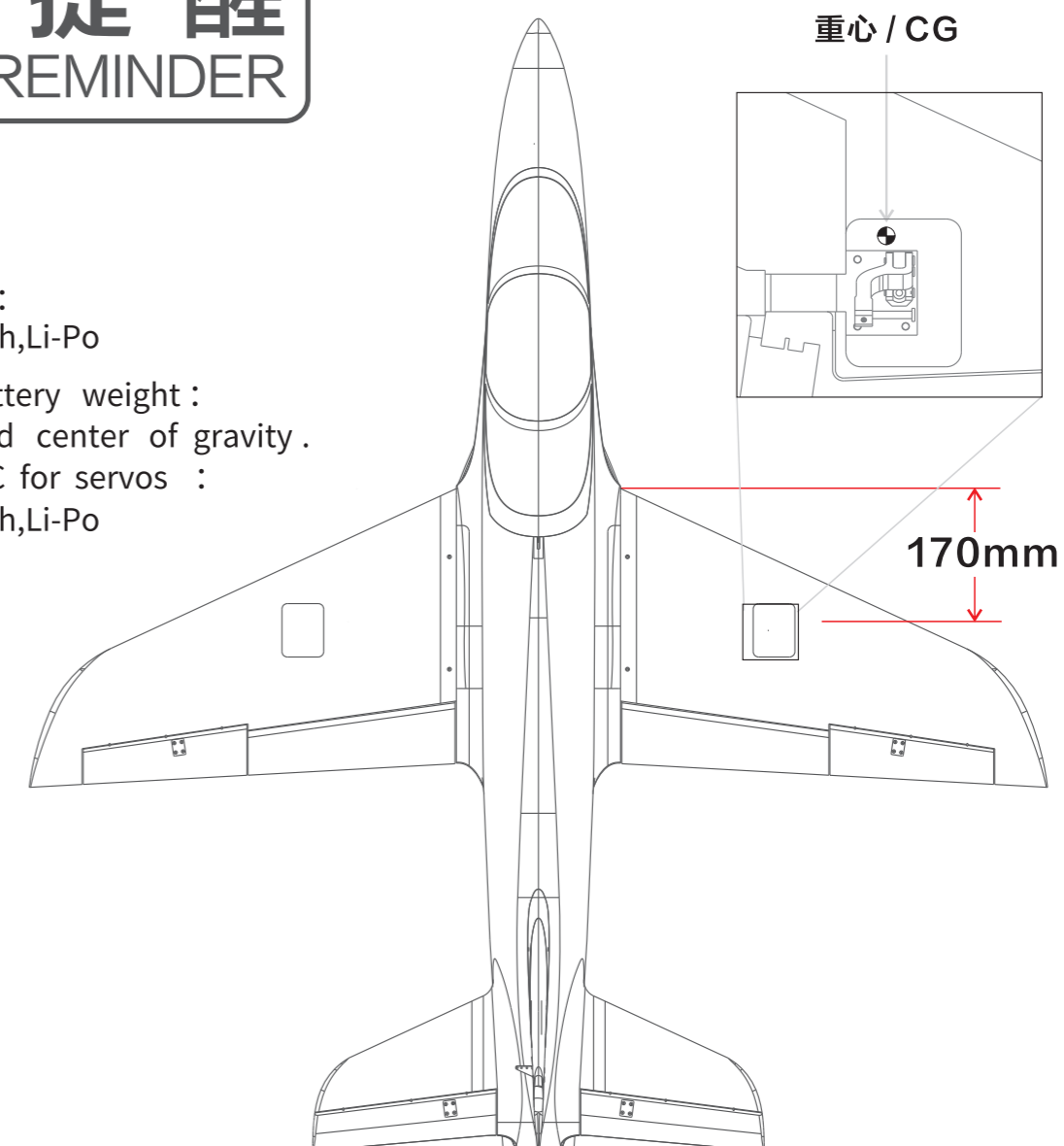


Assembly of your Super Viper is completed. Now perform a final check on all screws, bolts and components, ensuring all are secure and firmly in place.
你的超级毒蛇组装完成。现在对所有的螺钉、螺栓和部件进行最后的检查，确保所有的螺栓都固定到位。

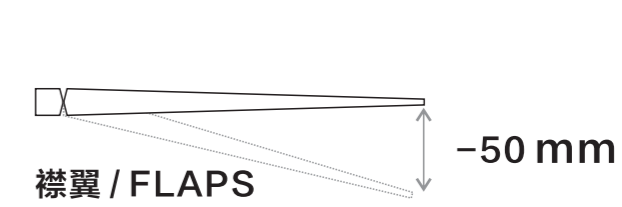
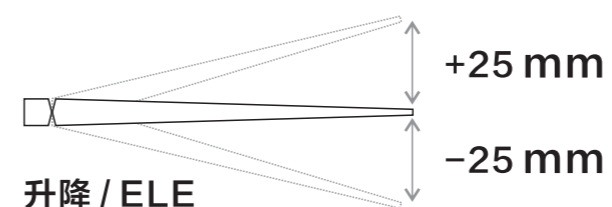
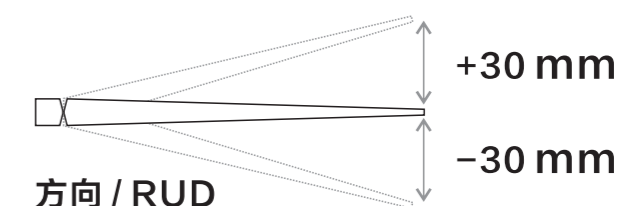
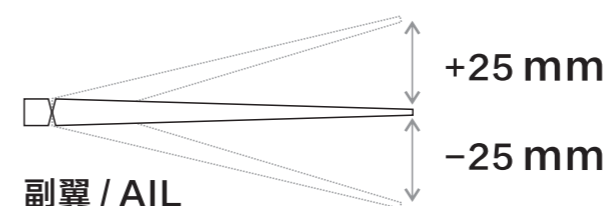
特别提醒 SPECIAL REMINDER

舵机供电单路 UBEC :
2s, (1500-1800) mAh, Li-Po

Recommended battery weight :
440g Fully matched center of gravity .
Power supply UBEC for servos :
2s, (1500-1800) mAh, Li-Po

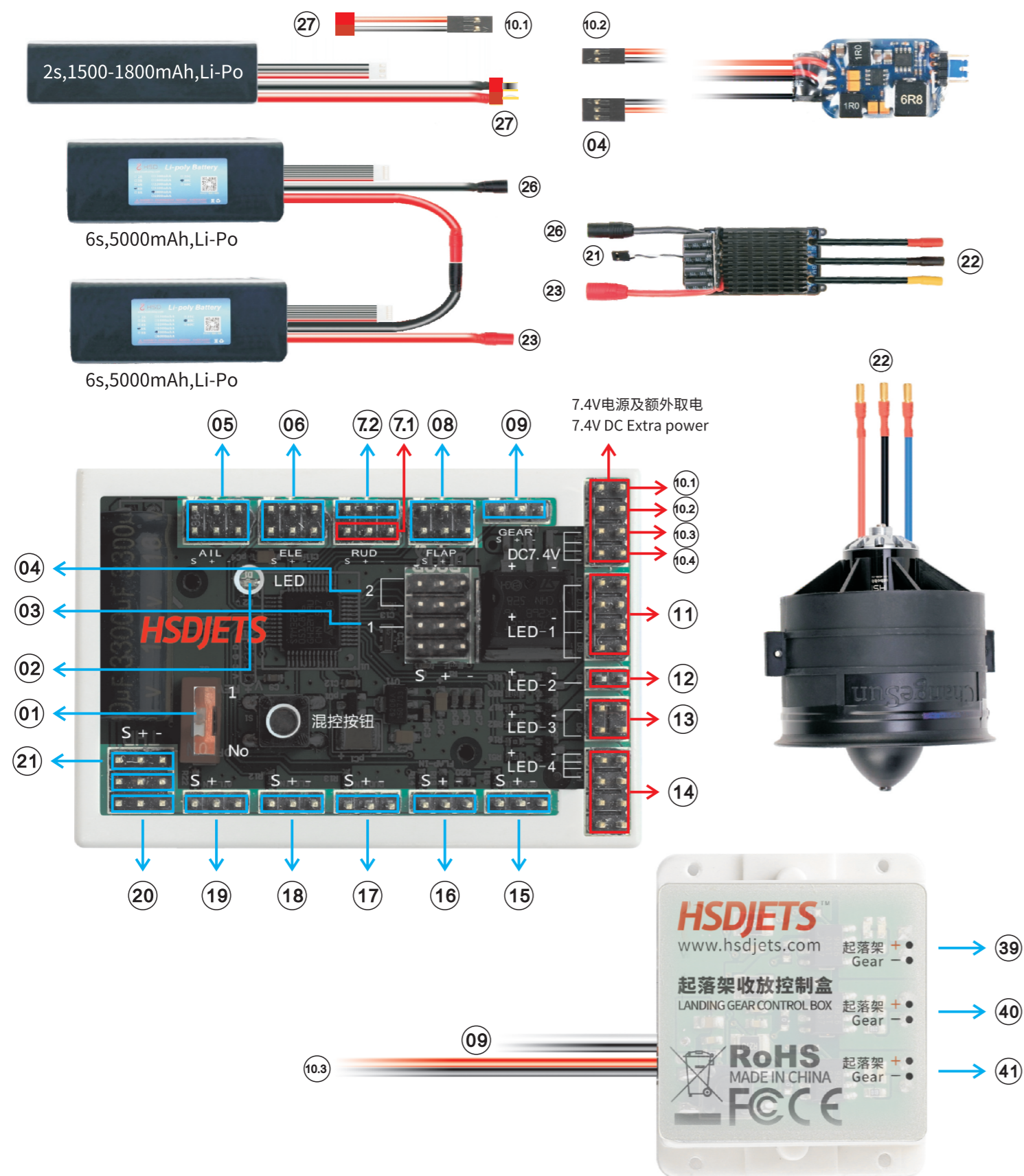


建议舵量:
Recommand surface travel:

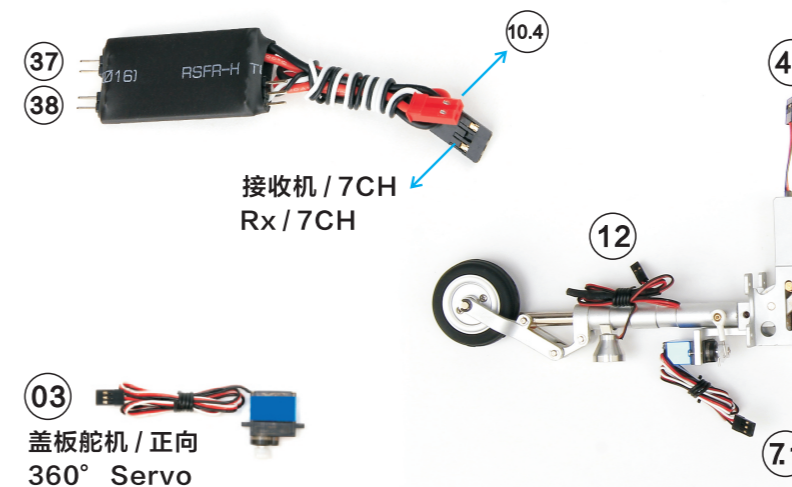


105mm EDF SUPER VIPER

接线图 / CONNECTION GUIDE

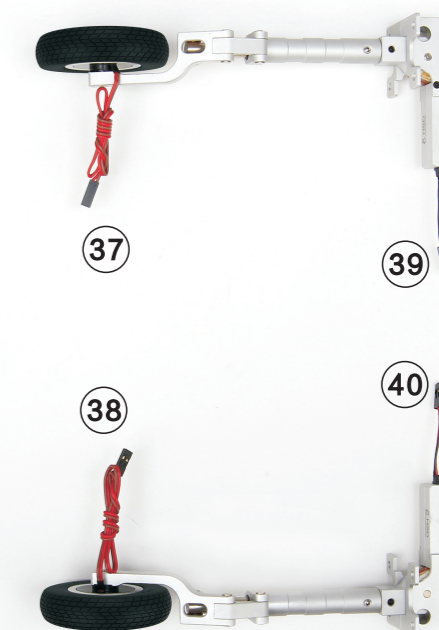


! 刹车输入电压出厂默认为: 7.4V, 如果想增大刹车力度, 请输入11.1V电压 (可采用发动机动力电池来供电)。
The default voltage for braker is 7.4V, if you need increase strength of braker, use higher voltage. (ex: 11.1V)



! 舱门盖板舵机是特制的360度舵机, 舱门开启后, 10秒钟内会自动断电, 舱门关闭后, 舵机会一直出力确保飞行中不会打开, 舵机使用很小的电力, 略有声音属于正常现象。
The servo for gear door is a special design 360 degree servo, when door open, the servo will stop power in 10 second. when door close, the power will keep force, to avoid door open again in the air. the servo use a very small power, when door close, servo keep contiune force is safe for servo, enjoy flight!

- 01 反向舵机逆转开关
Reverse Servos Reversing Switch
- 02 LED 指示灯
LED
- 03 一次动作盖板端口
Main landing gear cover control port
- 04 两次动作盖板端口
Main landing gear cover multi control port
- 05 副翼舵机信号输入通道
Aileron servos signal input channel
- 06 升降舵机信号输入通道
Elevator machine signal input channel
- 07 前轮转向舵机信号输入通道
Nose wheel steering servo signal input channel
- 08 方向舵机信号输入通道
Rubber machine signal input channel
- 09 襟翼舵机信号输入通道
Flap servos signal input channel
- 10 起落架信号输入通道
Landing gear signal input channel
- 11 DC 7.4V 输入电源插口
DC 7.4V input port



- 11 LED常亮端口
LED Always port
- 12 前起落架灯端口
Nose gear light port
- 13 LED快闪端口
LED fast flash port
- 14 LED慢闪端口
LED slow flash port
- 15 起落架通道
Landing gear channel
- 16 襟翼通道
Flap channel
- 17 方向通道
Rubber channel
- 18 升降通道
Elevator channel
- 19 副翼通道
Aileron channel
- 20 油门通道
Throttle channel
- 21 油门备用通道
Alternate throttle channel
- 24 一键收放按钮
A retractable button

105mm EDF SUPER VIPER

起落架爆炸图 / DECOMPOSITION GRAPH

