

HSDJETS

规格 / Specifications:

翼展 / Wingspan	1314 mm / 51.7 in
机长 / Length	1190 mm / 46.9 in
重量 / Weight	1950 g / 68.8 oz (含 4s 电池 / with 4s battery)
材料 / Material	EPO+ABS
螺旋桨	12×6 (加强纯碳纤)
起落架 / Landing gear	特硬铝合金, 后三点式

配置 / Configuration:

电机 / Motor	2820 / 900KV (4s) 无刷 / Brushless
电调 / ESC	50A, 2s~6s
电池 / Battery	4s, 3300 mAh, 40C, 锂电 / Li-Po
舵机 / Servo	9g×4

D-300特技机/Zazzy 快速组装说明 QUICK SETUP MANUAL



扫码关注，谢谢支持！

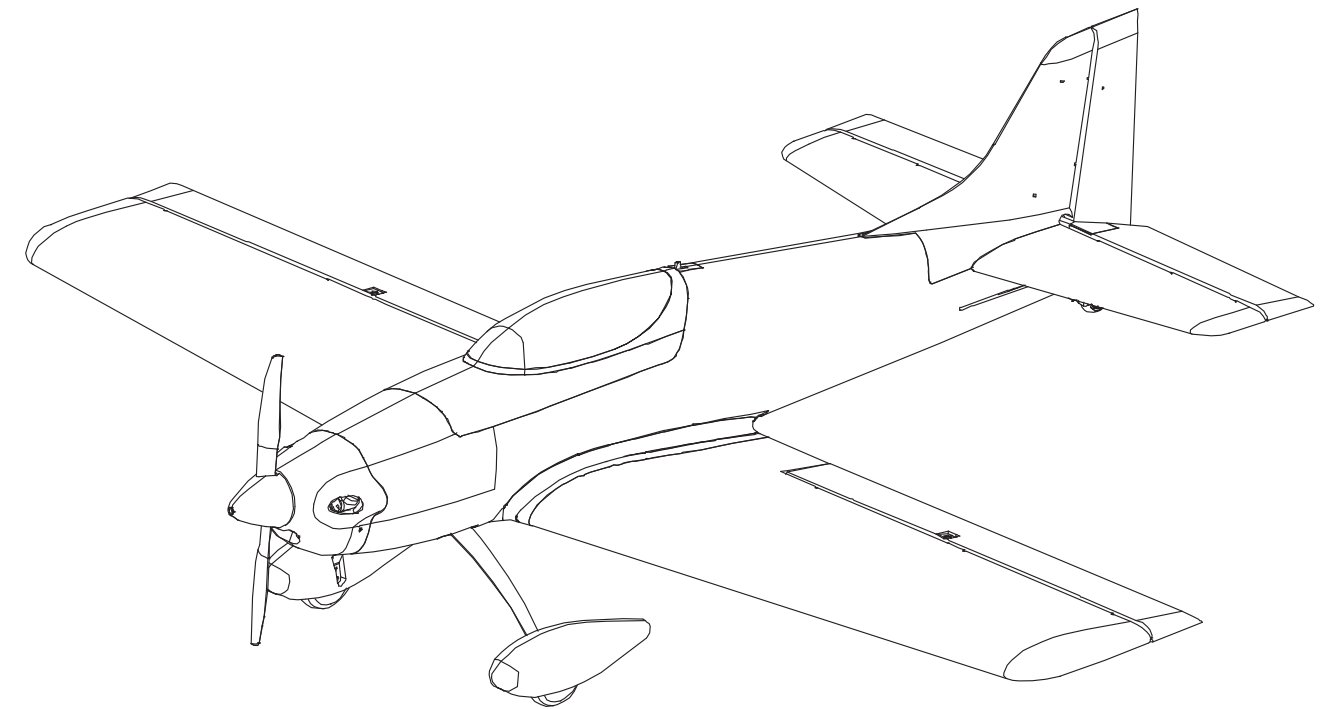
www.hsdjets.com

hsd@hsdjetshuang sai.com

广东省东莞市虎门镇怀德矮岗塘仔工业区 B 栋 (HSDJETS 工业园) (邮编: 523926)
HSDJETS Industry Park, Aigang Industry District, Huaide, Humen Town, Dongguan City,
Guangdong Province, China (Post: 523926)

©2017 黄赛航空 版权所有

Designed by HSDJETS. Printed in China



想了解更多产品视频、图片、注意事项等信息

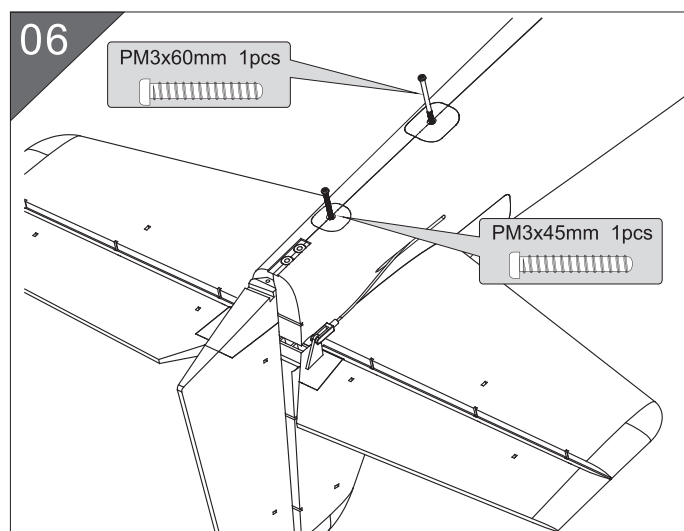
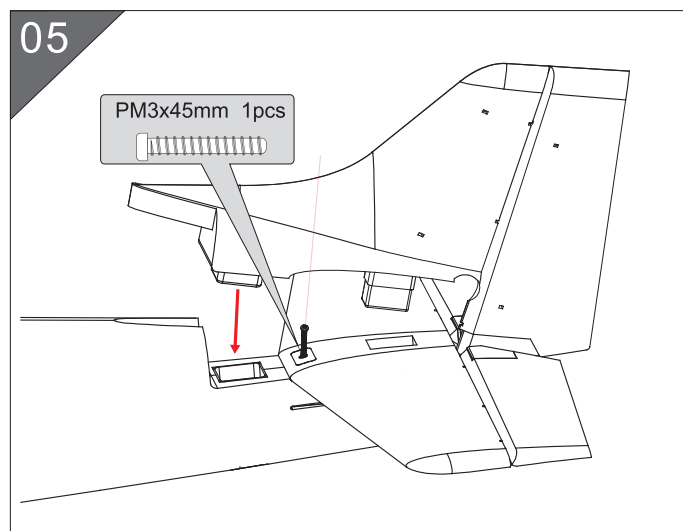
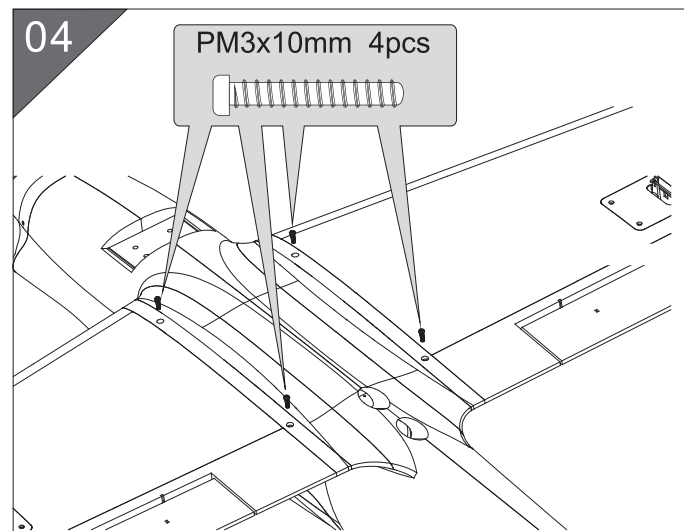
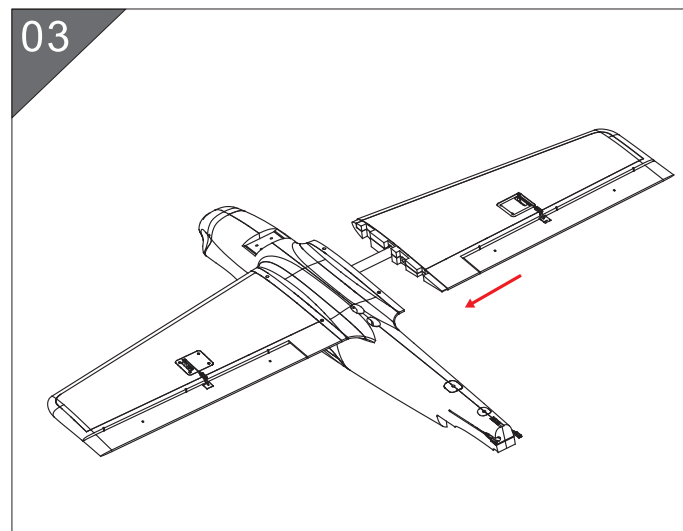
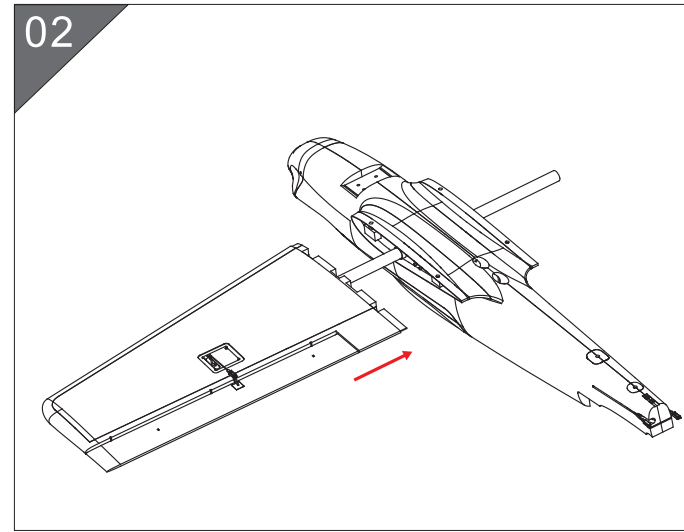
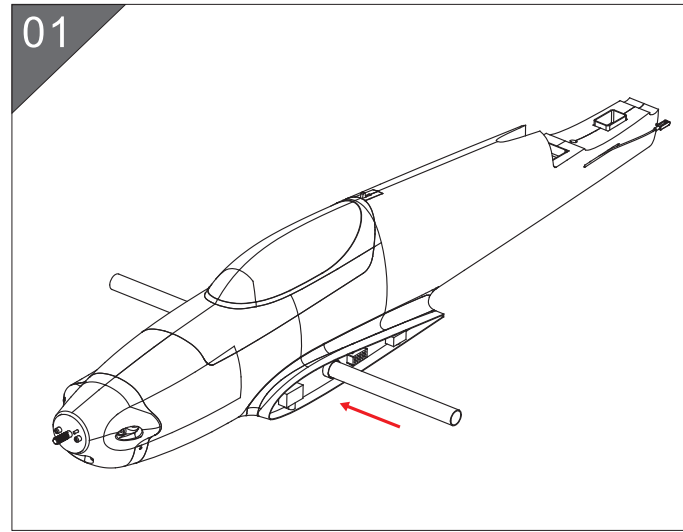
请登陆: www.hsdjets.com

Want to learn more about the product video, pictures,
and other matters of attention Please log in: www.hsdjets.com

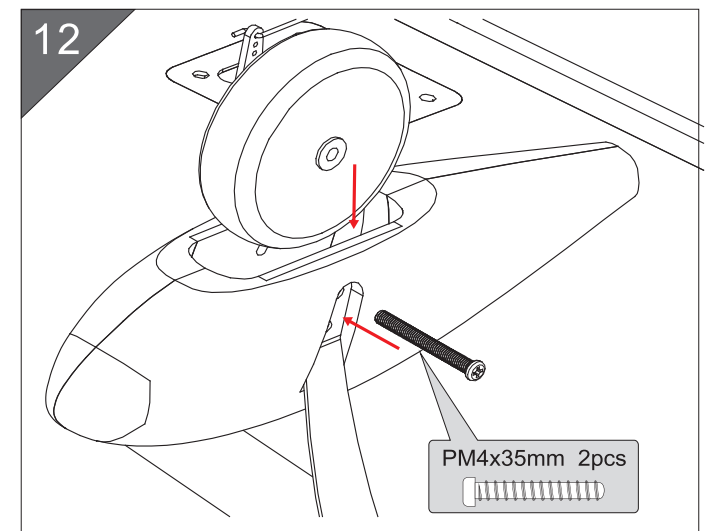
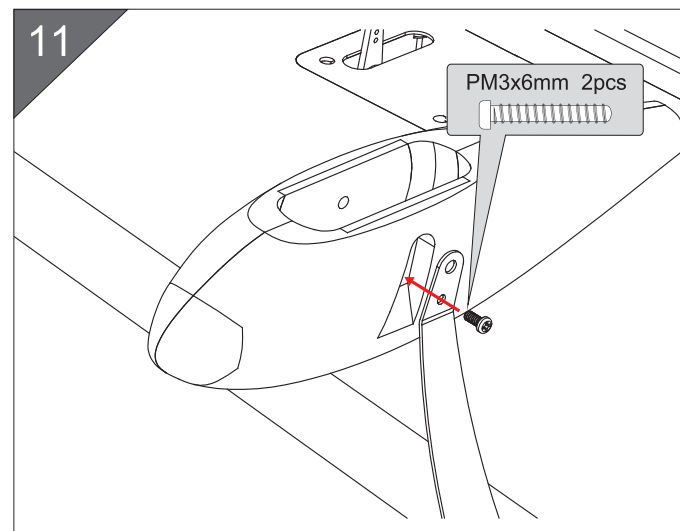
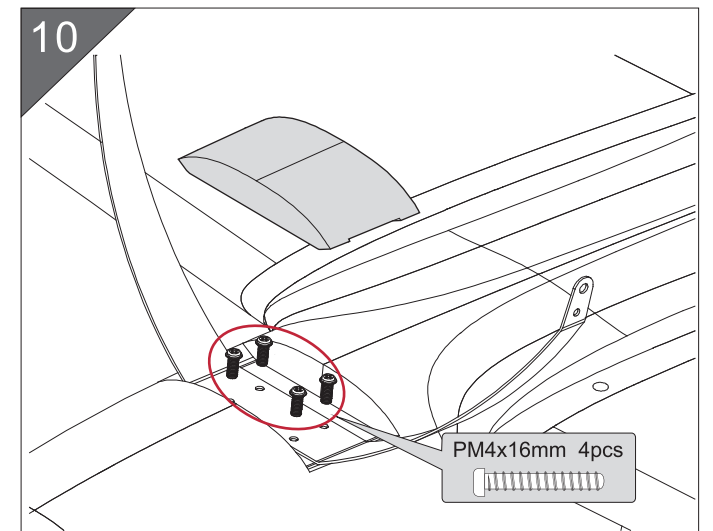
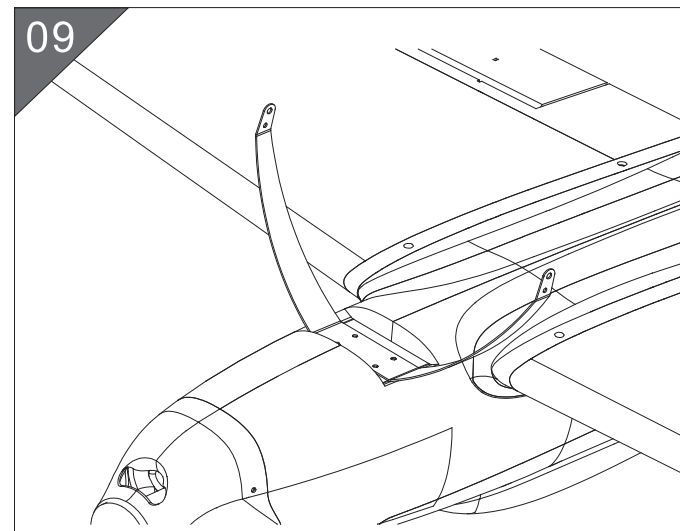
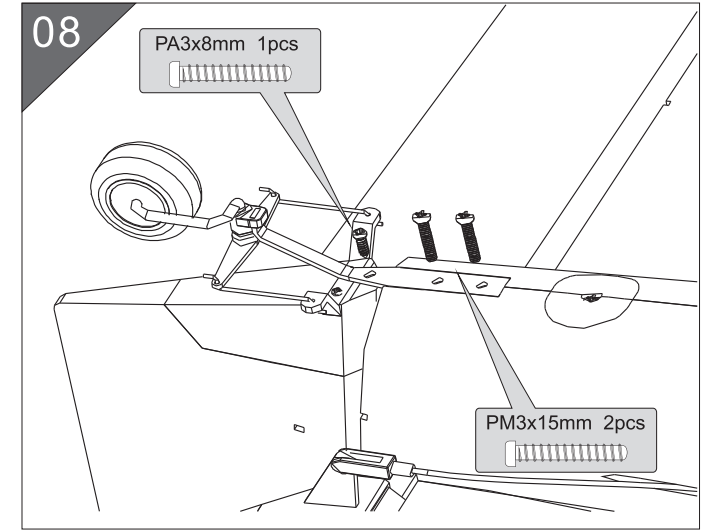
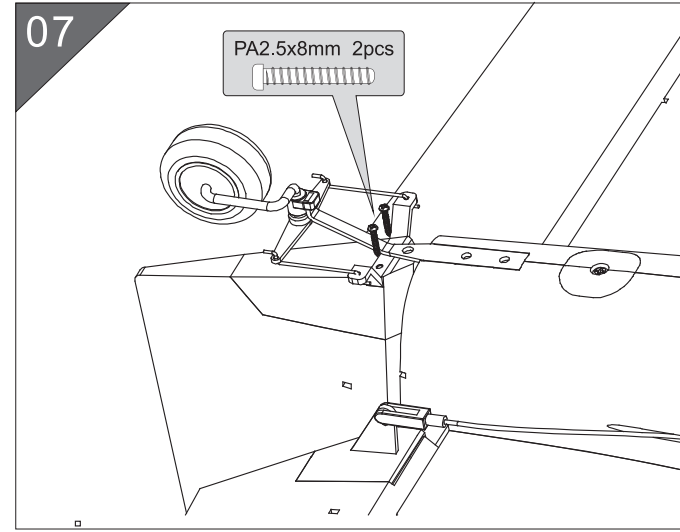
CONTENTS

组装步骤 / ASSEMBLY -----
 特别提醒 / SPECIAL REMINDED -----
 接线图 / CONNECTION GUIDE -----
 产品爆炸图 / DECOMPOSITION GRAPH -----

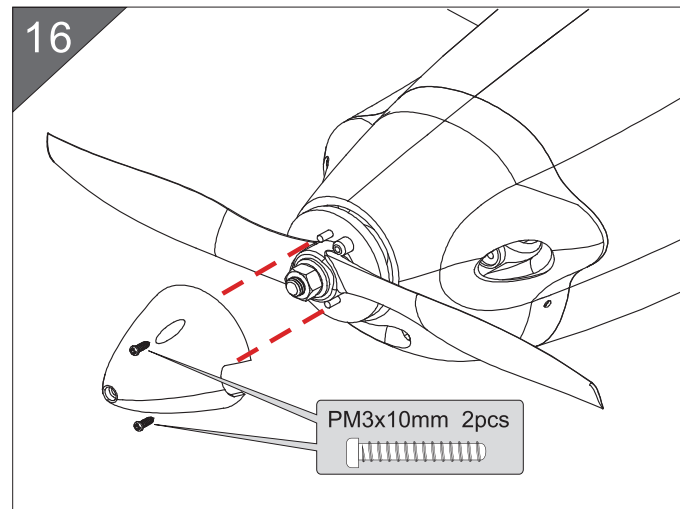
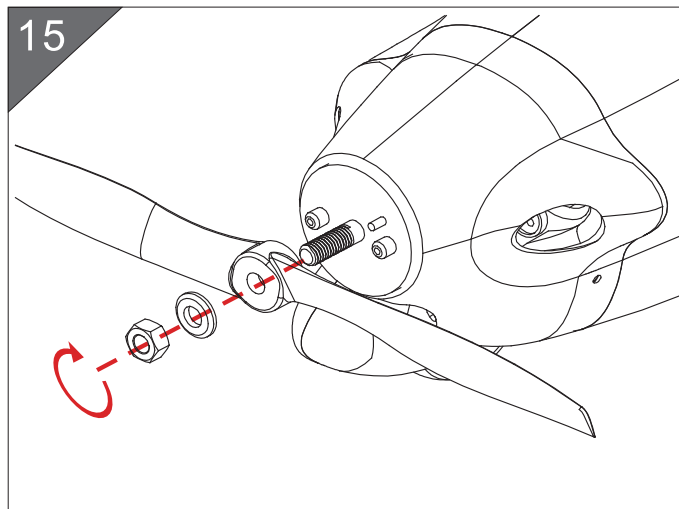
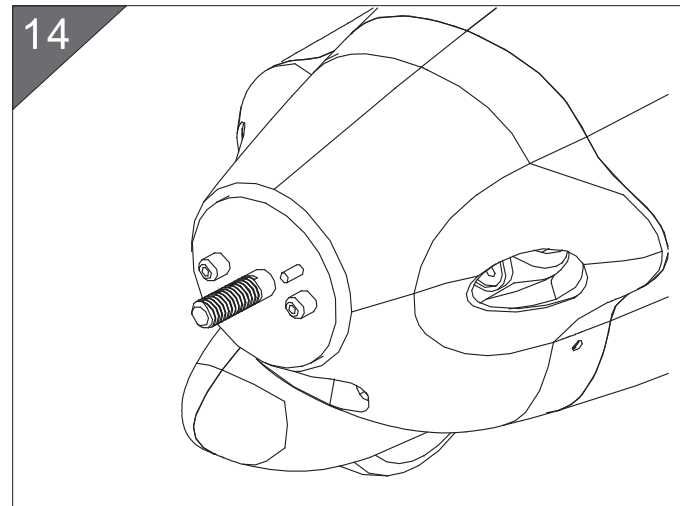
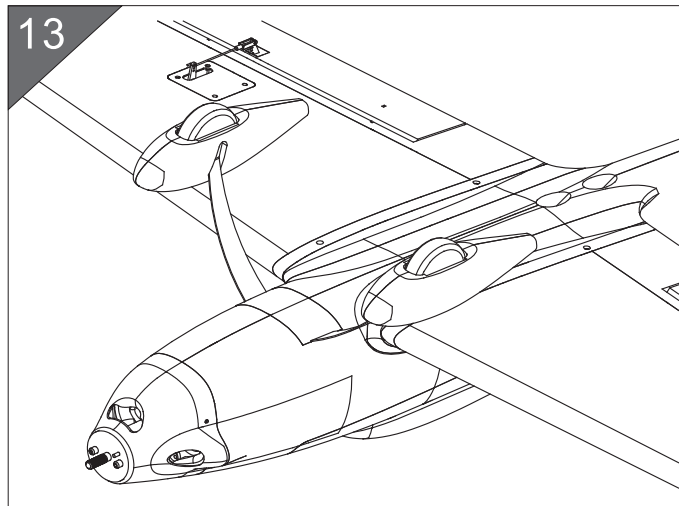
组装步骤 / ASSEMBLY



组装步骤 / ASSEMBLY

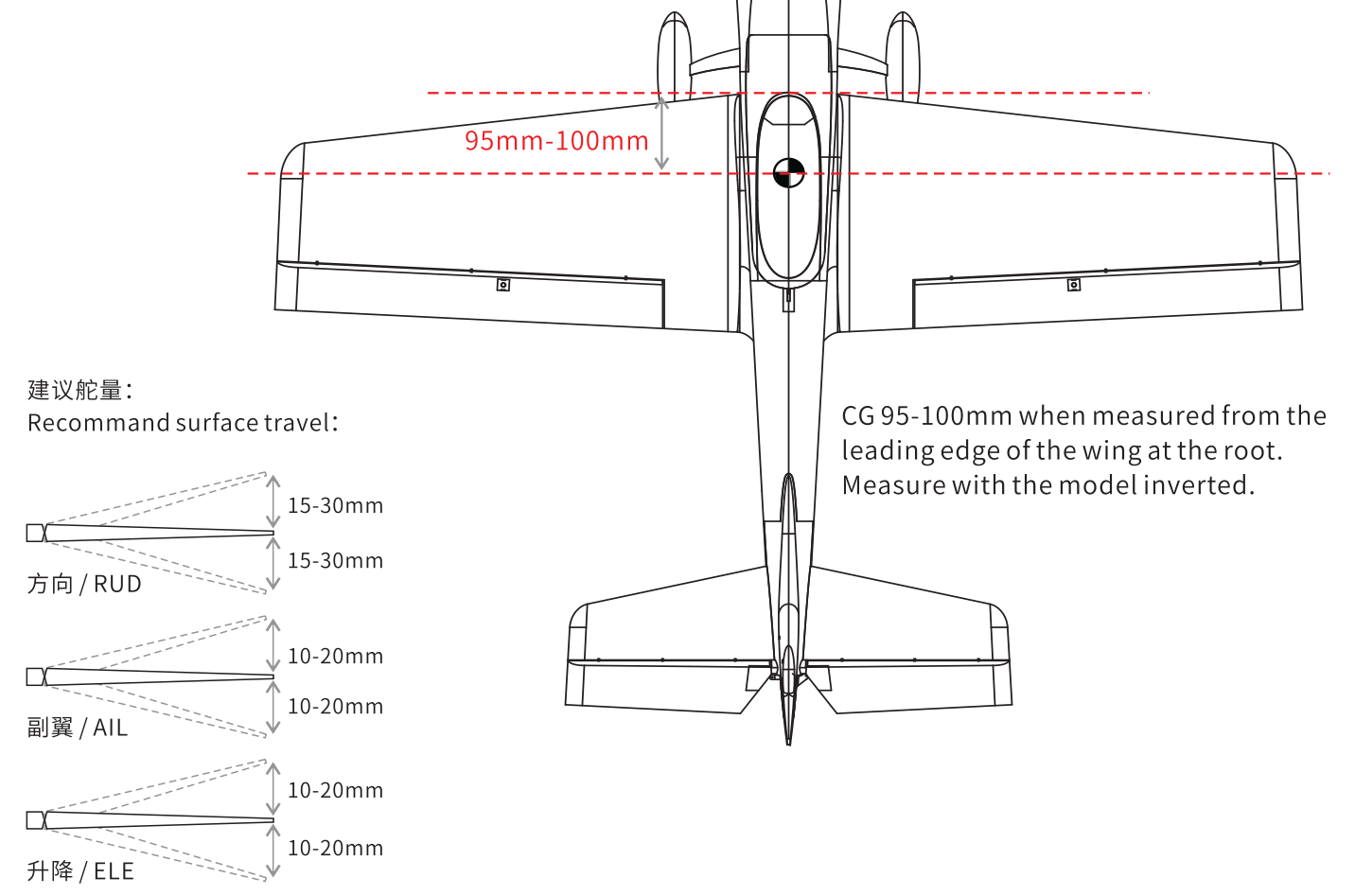


组装步骤 / ASSEMBLY

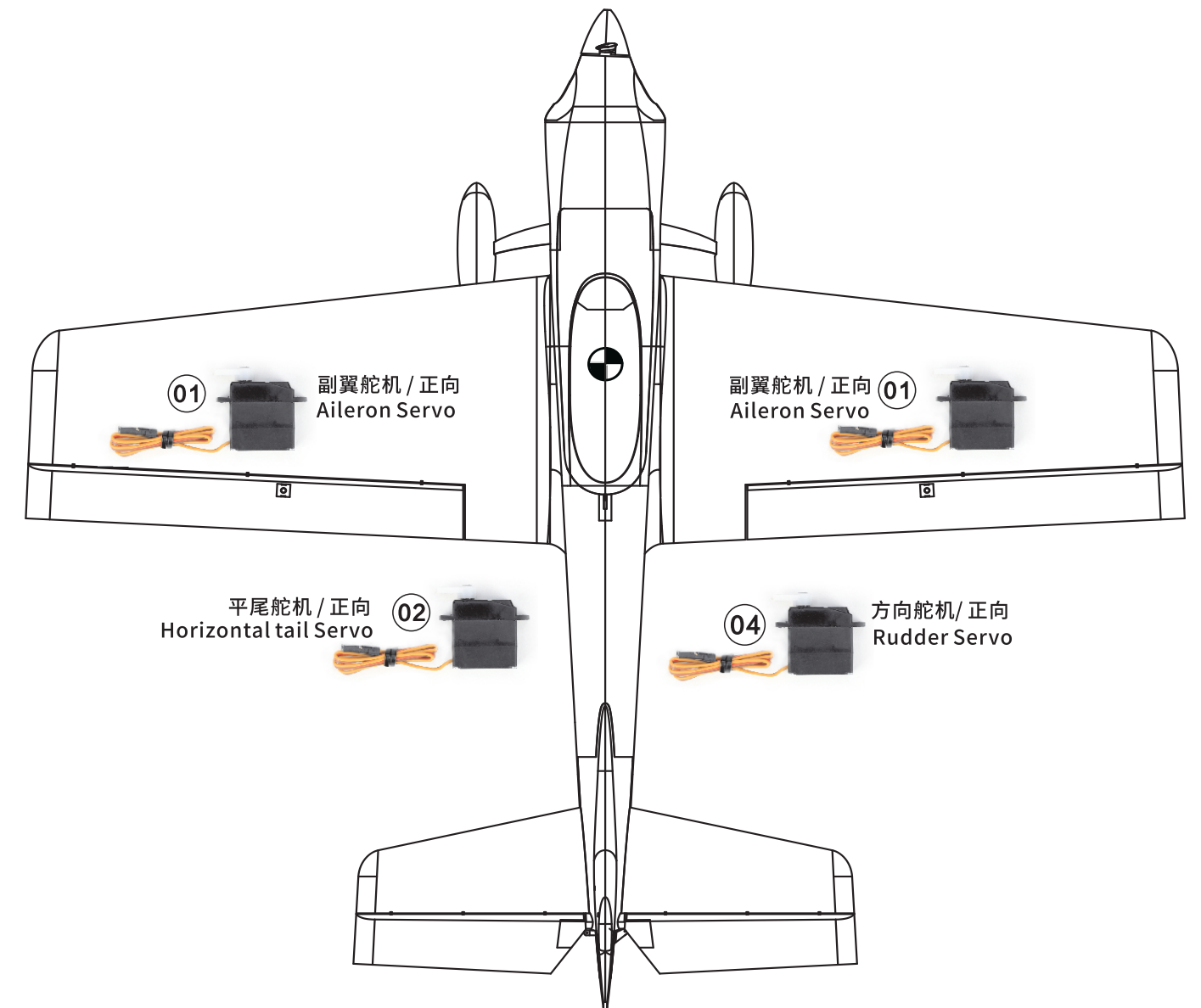
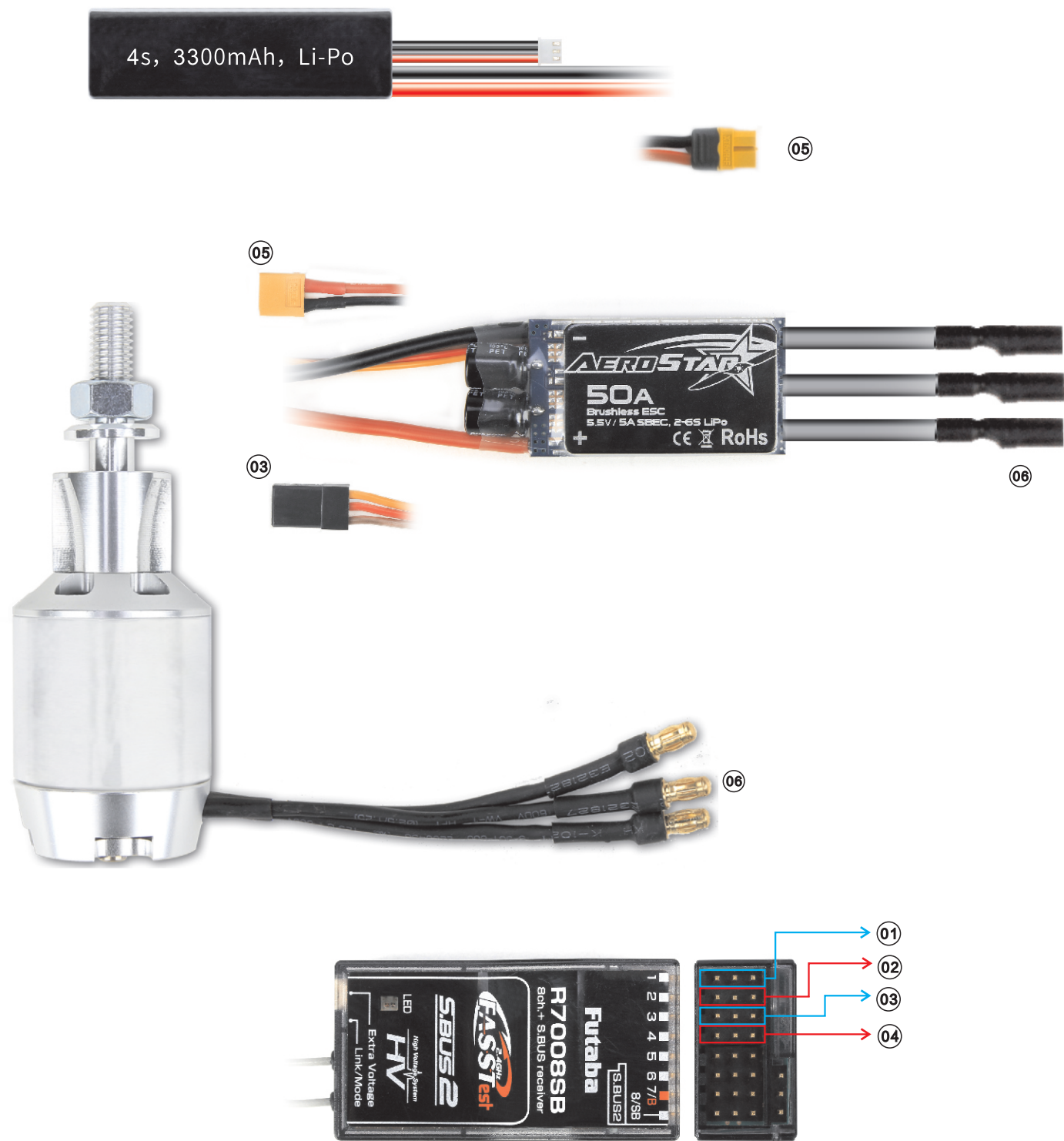


Congratulations, basic assembly of your Zazzy is now complete. Please perform a final check on all screws, bolts and components, ensuring all are secure and firmly in place.

特别提醒
SPECIAL REMINDER

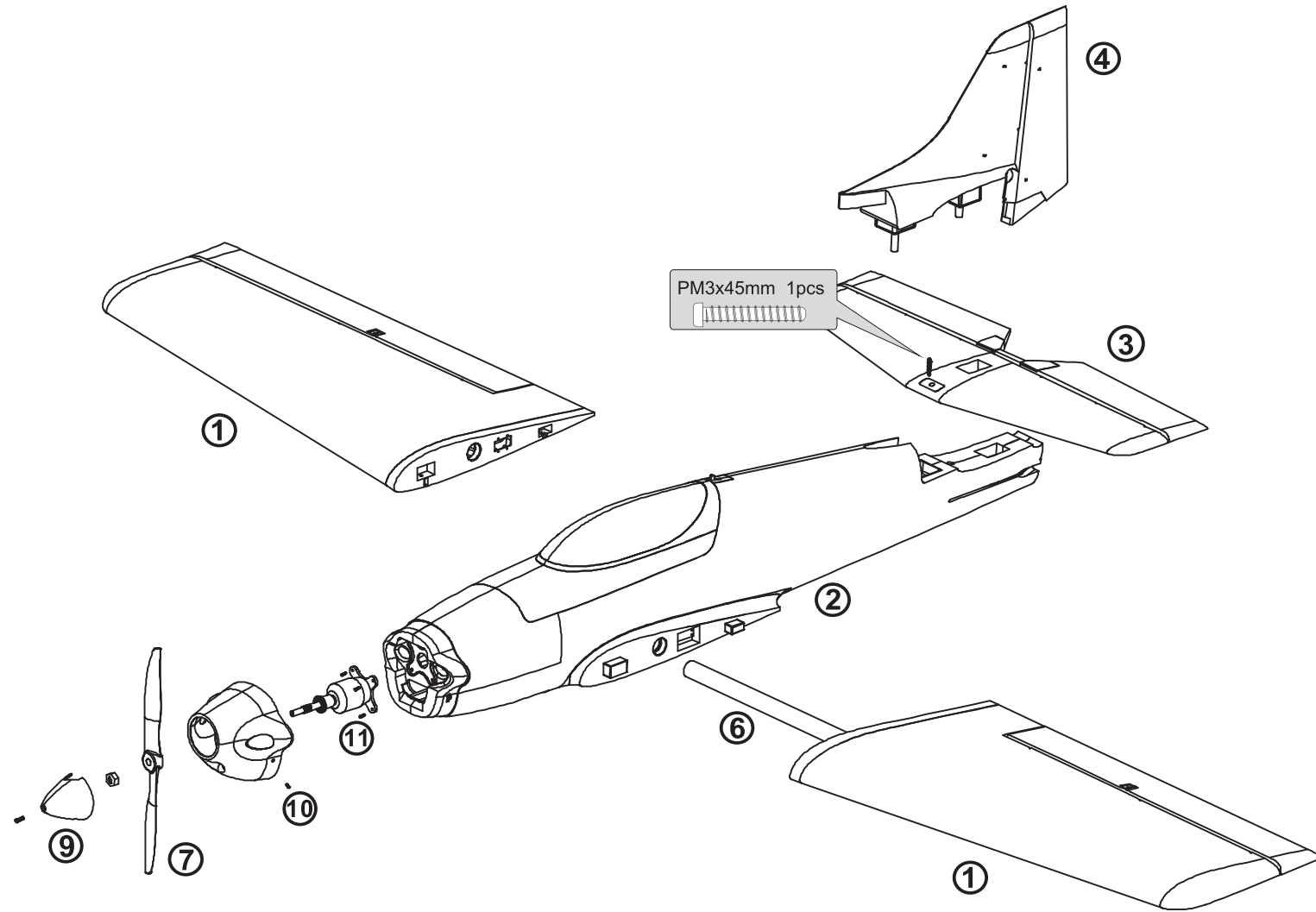


接线图 / CONNECTION GUIDE



- 01 副翼信号输出 Aileron signal output
- 02 升降信号输出 Elevator signal output
- 04 方向 / 转向信号输出 Rudder / Steering signal output

产品爆炸图 / DECOMPOSITION GRAPH



CONTENT

- | | |
|--------------------|------------------------|
| 1. Main wing | 7. 12x6 Carbon prop |
| 2. Fuselage | 8. Tail wheel assembly |
| 3. Horizontal tail | 9. Spinner |
| 4. Vertical tail | 10. Nose Cover |
| 5. Landing gear | 11. Motor |
| 6. Wing spar tube | |

